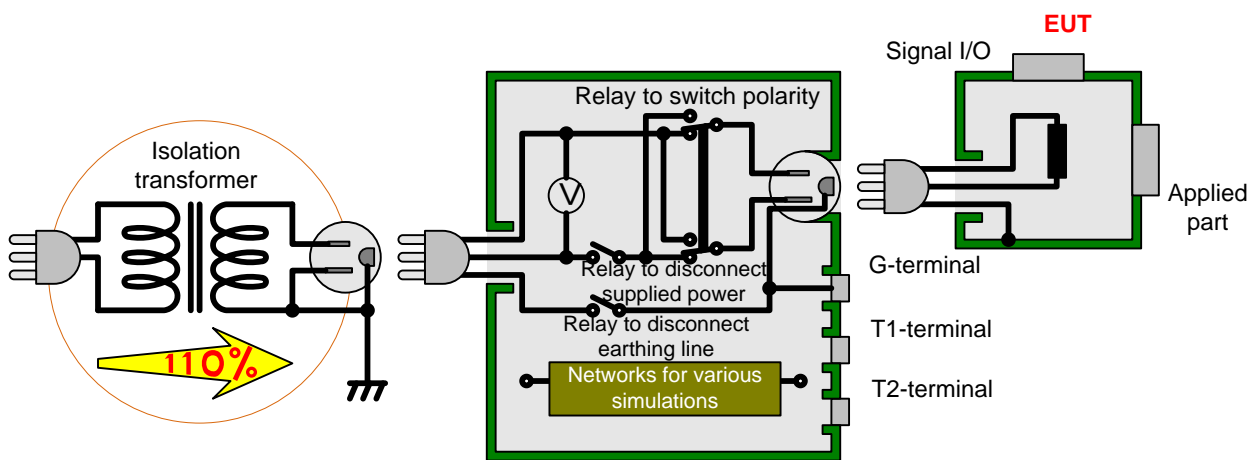


Leak Current Measurement of Medical Equipment Compliant with the IEC60601-1: (2005) 3rd Standard

Automatically measure the leak current of medical equipment using a method compliant with the IEC60601-1: (2005) 3rd standard.

■ Highlights

- Leak current in normal state and single error state can be automatically measured without the troublesome switching of power supply polarity.
- Since networks (body dummy load) compliant with JIS, IEC, UL, and Electrical Appliance and Material Safety Law are available as standard, measurements compliant with the standards can be performed.
- Store up to 30 measurement conditions in memory. Once a measurement condition is set up, the same measurement can be easily launched by just calling up the measurement condition stored in memory.



Internal structure of LEAK CURRENT HiTESTER ST5540



LEAK CURRENT HiTESTER ST5540

Products used: LEAK CURRENT HiTESTER ST5540

Isolation transformer:

Please provide a power supply in accordance with the power capacity of the equipment under test. However, the rated current of the ST5540 is 20 A max. Therefore, the rated current of the equipment under test must be below that value. When an isolation transformer is used, an uninterruptible polarity switch function can be used.

< Contact for isolation transformers >

TOKYORIKOSHA CORPORATION

<http://www.tokyorikosha.co.jp>